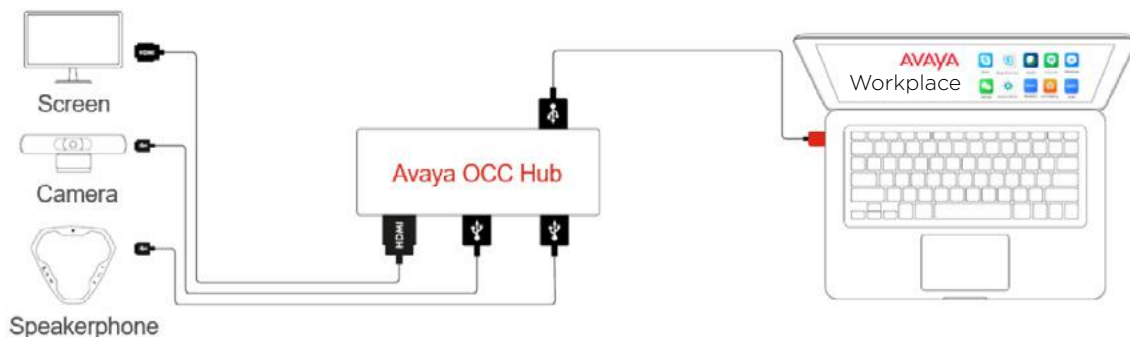


# Avaya One Cable Connect Hub

The Avaya One Cable Connect Hub is a core component of the Avaya Huddle Room kit for laptops. A single USB cable is all you need to connect the camera, the audio device and the room's screen to the collaboration app on your laptop. The Avaya OCC Hub brings everything together into one convenient kit. It allows transforming any office to a small

videoconferencing room, just by using Avaya Meetings Conferencing, and connecting with a single cable an Avaya Huddle Camera HC020/HC050 and an audio-conferencing speakerphone, such as the Avaya Conference Phone B109 in any kind of meeting room. It also allows plugging in the hub/docking station the room's screen.



**Note:** this kit could be also used with other third party video software client application.

Avaya One Cable Connect Hub to implement the Huddle Kit for Laptop (with Avaya Meetings Conferencing).

- 2x USB inputs, 1x USB output (to laptop)
- 1x HDMI output to display



Avaya One Cable Connect Hub	
<b>Size:</b>	182 x 78 x 32 mm
<b>Weight:</b>	365g
<b>Video:</b>	Resolution up to 2048 x 1152. Colors in 16 Bits and 32 Bits supported.
<b>Connections:</b>	1 x USB 3.0 for computer connection. 2 x USB 3.0 for connecting conference cam and speakerphone. 1 x HDMI for connecting screen.
<b>Power adapter:</b>	AC 100 – 240V, DC 5V/4A
<b>Temperature:</b>	operation 0 – 40 °C, storage -20 – 70 °C



Camera Model	HC1010 1080p30	HC2020 1080p@30	HC0505 12x 1080p30
<b>Image device</b>	CMOS 1/2.8"	4K@30/25 CMOS 1/2.7"	CMOS 1/2.7"
<b>Video Formats</b>	1080p30 / 720p30	4K@30/25 - 1080p60/50/30/25 (up to 1080p30 on XT)	1080p30/25/50/60 720p30/25/50/60 (up to 1080p30 on XT)
<b>Video Signal</b>	Compressed (H.264) on USB	Compressed (H.264) on USB	Compressed (H.264) on USB
<b>Focal Length</b>	f=2.8mm	f=2.8mm	f3.5mm ~ 42.3mm, F1.8 ~ F2.8
<b>Min Object Distance (wide)</b>	100 mm	500 mm	100 mm
<b>Min Illumination</b>	0.5 Lux @ (F2.0, AGC ON)	0.05 Lux @ (F1.8, AGC ON)	0.5 Lux @ (F1.8, AGC ON)
<b>HFoV</b>	85°	104° (up to 123°)	72°
<b>VFoV</b>	55°	68° (up to 80°)	43°
<b>Optical Zoom (*)</b>	N/A	N/A	12x
<b>Digital Zoom (*)</b>	4x	8x	16x
<b>Pan Range</b>	ePTZ	ePTZ	+/-170°
<b>Tilt Range</b>	ePTZ	ePTZ	+/- 30°
<b>Serial Control</b>	UVC via USB	UVC via USB	UVC via USB - Serial In-Out
<b>Ceiling Mount</b>	N/A	Supported	Supported
<b>Camera Mount</b>	Tripod screw hole (1/4-20 UNC)	Tripod screw hole (1/4-20 UNC)	Tripod screw hole (1/4-20 UNC)
<b>Weight</b>	93 g	0.34 Kg	0.91 Kg
<b>Dimensions w/h/d</b>	118mm x37.2mm x 30.8mm	194mm x 34mm x 42mm	128.5mm x 118mm x 156.2mm
<b>Current Consumption (max)</b>	200mA	600mA	1 A
<b>Avaya Clients Supported</b>	Avaya Spaces, Avaya Cloud Office (ACO), Workplace, Equinox		
<b>3rd Party Clients Supported</b>	MS® Teams, MS® Sfb, Skype®, Zoom®, Bluejeans®, Starleaf®, Pexip®, Cisco Webex®, Google Hangouts®		
<b>Video Configurations</b>	Same as other huddle cams, but via UVC	White balance (auto/manual); Focus Mode (auto/manual); Sharpness; Backlight; Exposure Compensation; Picture (auto/manual) and WDR level	
<b>Voltage Range</b>	5V (USB power supply)	5V (USB power supply)	12V nominal (10.8 to 13.0 V)
<b>IR Repeater as TTL Signal</b>	Not available	Not available	On pin 7 Serial In
<b>Camera Output</b>	USB 2.0	USB 3.0	USB 3.0
<b>Microphone</b>	Included	Included	Included
<b>Presets</b>	10 when controlled from UVC commands, 122 when controlled from XT	10 when controlled from camera remote or UVC commands, 122 when controlled from XT	
<b>Far End Camera Control</b>	Through XT codec (H.224, H.281) or third party App		



**Avaya Conference Phone B109**

<b>Size</b>	145 x 134 x 32 mm
<b>Weight</b>	230 g
<b>Display</b>	1.77" Color LCD, 128x160 pixels
<b>Upgrading</b>	Avaya upgrade utility (for Microsoft® Windows®) upgrades Avaya B109 software via the USB connection
<b>Power supply</b>	
<b>USB</b>	Power supply and battery charge via the USB
<b>Battery</b>	1000 mAh Li-ion
<b>Stand-by</b>	72 hours battery only
<b>Talk time</b>	12 hours battery only
<b>Connections</b>	
<b>USB</b>	Micro USB. For computer connection.
<b>Bluetooth</b>	Bluetooth 4.0. For connection to a mobile phone or other equipment that supports the Bluetooth Handsfree profile. Support for simplified Bluetooth pairing and connection using NFC (near-field communications). Support for A2DP (advanced audio distribution profile) is required to obtain the best audio quality when playing music and for music control via the music mode in the Avaya B109.
<b>Headset</b>	3.5 mm phone plug (TRS/TRRS)
<b>Audio</b>	
<b>Audio optimization</b>	OmniSound®
<b>Microphone</b>	Two microphones with beamforming
<b>Coverage range</b>	Up to 30 m2
<b>Frequency range for music</b>	50-24,000 Hz
<b>Frequency range for speech</b>	50-7,000 Hz
<b>Volume</b>	90 dB SPL 0.5 m
<b>Environment</b>	
<b>Temperature</b>	5°-40°C
<b>Relative</b>	humidity 20-80% condensation free
<b>Recommended acoustics</b>	Reverberation period 0.5 S Rt 60 Background noise < 45 dBA

Note: For larger rooms please use the Avaya B199.

For more information visit: [www.avaya.com/en/documents/fs-conference-phone-b199-dv15378en.pdf](http://www.avaya.com/en/documents/fs-conference-phone-b199-dv15378en.pdf)



## The Avaya OCC Hub brings everything together into one convenient kit.



### About Avaya

Businesses are built by the experiences they provide, and every day millions of those experiences are delivered by Avaya Holdings Corp. (NYSE: AVYA). Avaya is shaping what's next for the future of work, with innovation and partnerships that deliver game-changing business benefits. Our cloud communications solutions and multi-cloud application ecosystem power personalized, intelligent, and effortless customer and employee experiences to help achieve strategic ambitions and desired outcomes. Together, we are committed to help grow your business by delivering Experiences that Matter. Learn more at [www.avaya.com](http://www.avaya.com).